

ELS1700: compact Embedded Linux Server Network

Highlights

ELS1700 is a complete webcontroller for installing linux applications:

- * complete hardware
- * complete box
- * complete server software (linux distribution)

Linux is very popular. The ELS1700 makes it even easier for you; supporting you with a low-cost complete toolbox.



Platform for e-Applications.

If you want to create a firewall, a router, a SAN-server, a communication server (Asterisk), a backupserver (Rsync) or an email tool or whatever web or controller application that has your interest, you can probably create it on an ELS1700 device.

Reliable, flexible and easy to use

If your application requires a lot of interfacing with sensors or other devices, or your application must be handling several fieldbus protocols we suggest you to select the FieldCommander version of this device.



Software

- Based on standard Linux (Debian) distribution software with complete LAMP (Linux 2.6.x), Apache, MySQL, PHP) configuration.



Hardware

- Based on the compact FieldCommander HW10C-platform. Please check the HWP10 datasheet for more detailed info. Usercontrol based on serial console.



Hardware accessories.

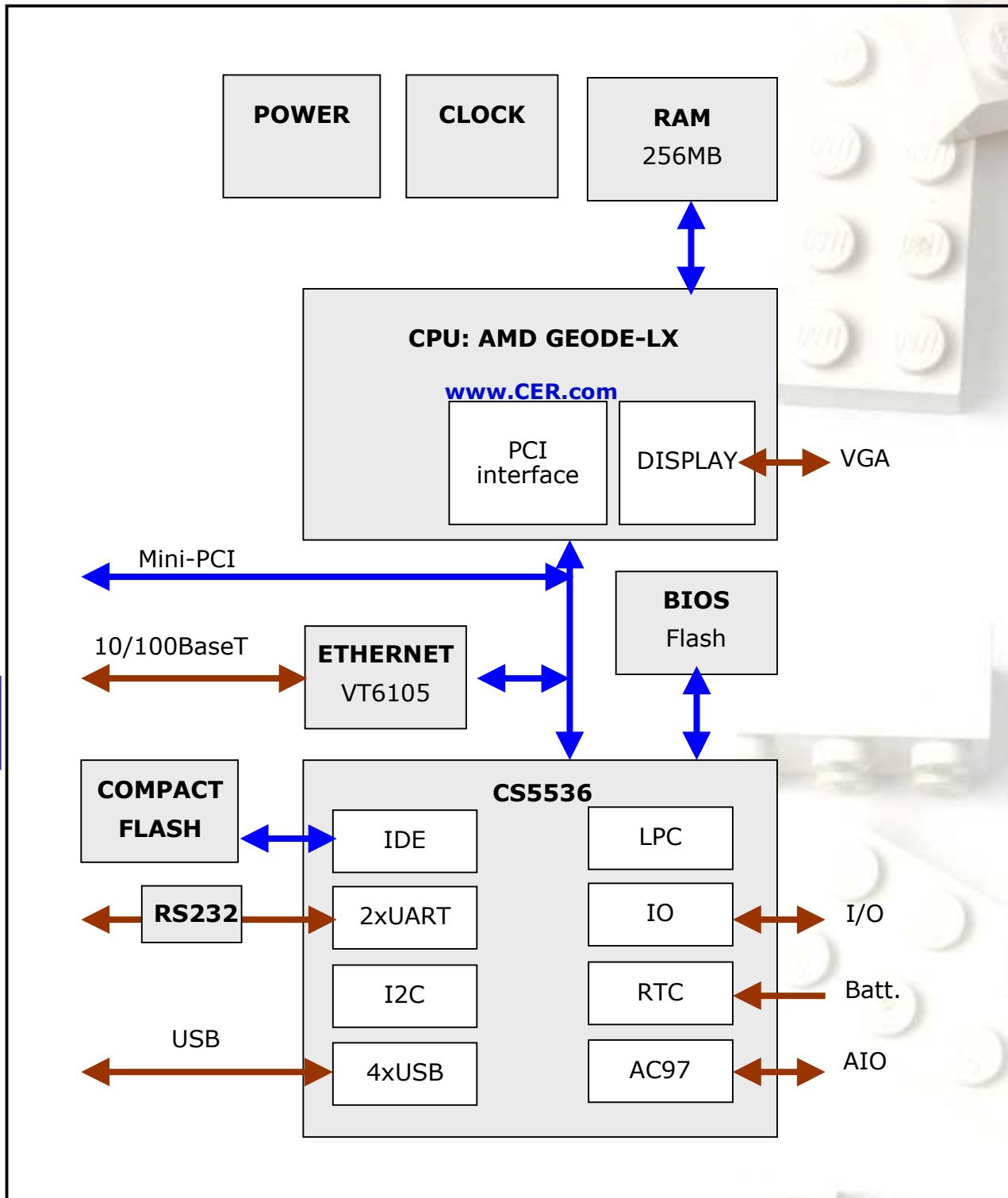
- DIN rail mounting clips



Options.

- Powersupply
- WiFi extension 11/54Mbps
- keyboard (USB)
- mouse (USB)
- videomonitor (VGA)
- larger flash disk

ELS1700: the hardware



Hardware

The schematic diagram of the ELS1700 hardware.

ELS1700: the software

Linux distribution components

- BIOS with serial console
- Linux kernel, v 2.6
- webserver; Apache
- SQL database; MySQL
- PHP v5
- Webmin maintenance tool
- PHPMyAdmin; maintenance tool for MySQL
- Serial Console;
All output is redirected to serial console
- SSH Console
- Upgradable

Platform for e-Applications

If you want to create a firewall, a router, an email tool or whatever web or controller application that has your interest, you can probably create it on an ELS1700 device.

Reliable, flexible

The combination of the reliable industrial fanless CER hardware platforms and the reliable Linux software guarantees a longtime reliable use.

Highlights

ELS1700 is a complete toolbox platform to create an advanced controller.

Order info

ELS1700
FCWiFi1
FCPwr10
FCPwr10UK

ELS1700; compact Embedded Linux Server
Option: WiFi miniPCI 802.11a/b/g 54/108 Mbps
Powersupply for HWP10/11 (euro-plug)
Powersupply for HWP10/11 (UK)



Reliable

- Linux is recognized as a reliable software platform.



Long life cycle

- Linux is available for many years.



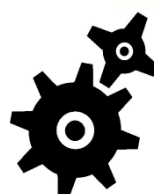
Content

- Linux distribution Debian



Support

- Linux is OpenSource based and so worldwide many people can support you with Linux or Linux applications.



from Device to Enterprise

CER[®]

CER International bv
Postbus 258
NL-4700 AG Roosendaal
Tel.: +31(0)165-557417
Fax: +31(0)165-562151
www.CER.com
info@CER.com

V2010-b